

INSTALLATION, OPERATION & APPLICATION GUIDE

For more information on our complete range of American-made products – plus wiring diagrams, troubleshooting tips and more, visit us at www.icmcontrols.com



SPECIFICATIONS

Input:

- **Line voltage:** Universal, 190-600 VAC
- **Frequency:** 50/60 Hz
- **Control voltage:** 18-240 VAC
- **Load side monitoring:** Optional

Output:

- **Type:** Relay, SPDT
- **Voltage range:** 277 VAC @ 6A, general purpose

Ambient Operating Temperature:

-40°F to +149°F (-40°C to +65°C)

Storage Temperature:

-40°F to +185°F (-40°C to +80°C)

Mechanical:

- **Mounting:** Surface mount using (2) #8 screws
- **Terminations:** 1/4" quick connects
- **Weight:** 12 ounces (341 grams)

ModBus:

- **RS485 Communication** (ICM 450A PLUS+)
- **Node ID:** 175
- **Baud rate:** 9600
- **Stop Bits:** 2
- **Parity:** none
- **Data Bits:** 8

** NOTE: These Settings cannot be changed.

Dimensions: 6.5"L x 4.75"W x 1.09"D

PARAMETERS

Line Voltage: Universal 190-600 VAC

Phase Unbalance Protection : 2-20% adjustable

Over/Under Voltage Protection:

- **Under Voltage:** 2-25% adjustable
- **Over Voltage:** 2-25% adjustable

Phase Loss Protection: Equals 25% of nominal for any given phase; system will shut down and a fault will be recorded should this occur

Delay on Break Timer: 15 seconds to 10 minutes adjustable

Control Voltage: 18-240 VAC

Control Mode: ON/OFF

Fault Interrogation Delay:

- **Time Delay:** 0 to 15 seconds adjustable
- Provides a delay between fault detection and system shutdown - helps to eliminate nuisance trips or unnecessary shutdowns

Reset Mode: 0 (auto) or 1-10 retries

Set Date and Time: Provides real time clock for date and time stamp (ICM450A PLUS+)

Language: Set to English or Spanish language for display

CAUTION!

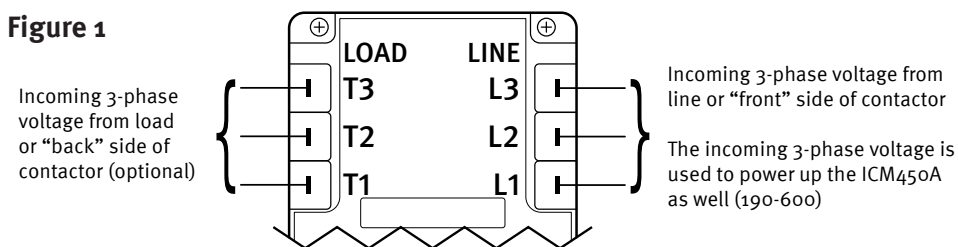
Installation of the ICM450A and ICM450A PLUS+ shall be performed by trained technicians only. Adhere to all local and national electric codes.

Disconnect all power to the system before making any connections.

INSTALLATION

- Using (2) #8 screws, mount the **ICM450A** and **ICM450A PLUS+** in a cool, dry, easily accessible location in the control panel.
- Connect voltage as shown in Figure 1 (below). Leave existing line and load side connections intact on the contactor.
- Load side monitoring is optional (unit may be used to monitor line side only). Wire the contactor and optional control voltage monitoring as in Figure 2.
 - ** Note: Load/line wire must be rated for the voltage applied. Do not use wire smaller than 20 AWG.
- Upon application of power, the **ICM450A** and **ICM450A PLUS+** will be on line and will begin to monitor the system.

Figure 1



* User may install 1 AMP inline fuses rated at the applied input voltage to the line side connections.

- Terminals 4 and 5 are the control signal input terminals
- "Control Mode" is turned ON or OFF in setup

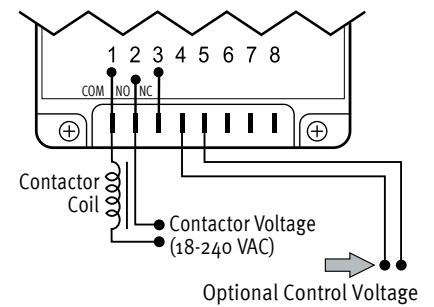
INSTALLATION (CONTINUED)

- With "Control Mode" set to "ON," there must be a voltage present on terminals 4 and 5 for the relay output terminals 1 and 2 to close; this voltage can be supplied from a thermostat, pressure switch, etc.
- When the voltage on these terminals is re-applied, the unit will not re-energize until the delay on break (15 seconds- 10 minutes) time has elapsed
- **Use of terminals 4 and 5 is optional; they will be ignored if the "Control Mode" is set to "OFF"**
- Terminals 1 and 2 are "dry," normally open contacts
- Terminals 1 and 2 are closed when power is within specifications
- Terminals 1 and 2 open when there is a fault condition
- Terminals 1 and 2 open when there is a loss of the control signal with "Control Mode" set to "ON"

** Note 1: Terminals 6, 7 and 8 used for ModBus communication on **ICM450A PLUS+**.

** Note 2: Use of female quick connect terminals suitable for field wiring required. Female quick-connect terminals suitable for factory-wiring only are **not permitted**.

Figure 2



MODBUS DATA MAPPING QR CODE

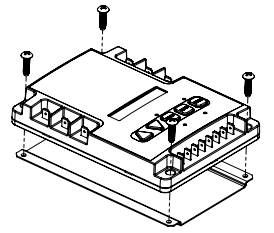
To Access the MODBUS data mapping tables, SCAN the QR Bar code to the right.



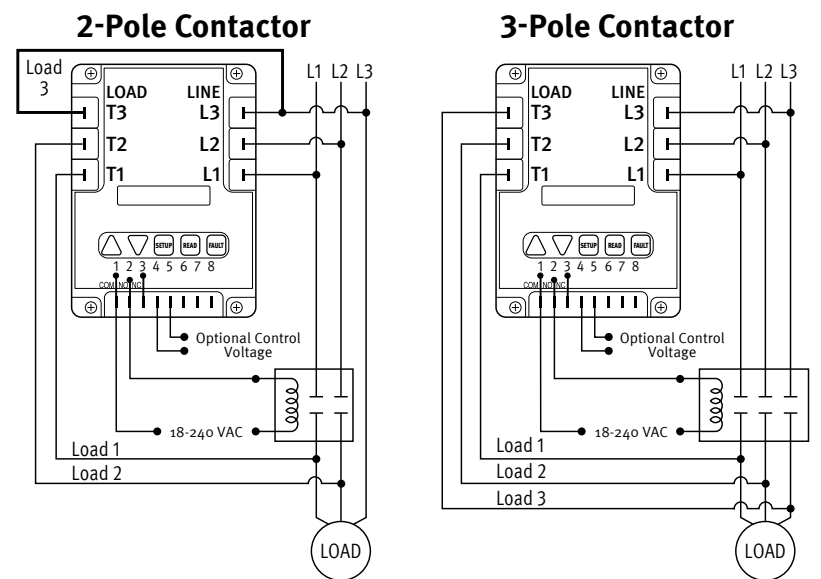
DIN RAIL MOUNTING INSTRUCTIONS

- Align the DIN rail mounting plate with the 4 holes on the back side of the **ICM450A/450A Plus+**.
- Thread the four # 10 screws provided in the kit through the **ICM450A/450A Plus+** mounting holes from the top side and thread into the mounting plate as seen in fig 5.

** Optional din rail mounting kit sold separately (Order: **DIN-ICM450A**)



ICM450A AND ICM450A PLUS+ WIRING DIAGRAMS



SETTING THE PARAMETERS

- Press the SETUP button to enter Setup mode. Setup LED will light.
- Use the ∇ and \blacktriangle arrows to change user parameters.
- Scroll through setup by pressing and releasing the SETUP button.
- When the last parameter has been set, the phase average will be displayed and the Setup LED will automatically turn OFF.

TERMINATING THE RESISTOR

The ICM450A PLUS+ is equipped with an internal terminator resistor which can be enabled or disabled in the set up.

BUTTON FUNCTIONS



Press arrows to scroll through and select user parameter settings in Setup mode. HOLD down for fast edit.

Press to enter Setup mode and select user parameters.

Hold for voltage display $a \rightarrow b$, $b \rightarrow c$, $a \rightarrow c$ (simultaneously).

Press to read faults. Hold for 5 seconds to clear faults and reset memory.

Voltage Read Calibration

Hold down both the UP & Down buttons simultaneously to enter calibration mode (Fault and Setup LEDs will flash). Press the Up & Down buttons individually to adjust display voltage allowing a few seconds between presses for voltage averaging. Press READ to exit and save calibration.

PARAMETERS

Parameter	Description	Range	Default	Recommended
Line Voltage	Average phase to phase line voltage	190-600	208	Nameplate Voltage
Delay on Break	Amount of time between the load de-energizing and re-energizing	15 seconds - 10 minutes	15 seconds	4 minutes**
Delay on Fault	Amount of time before the load de-energizes due to a non-critical fault*	0-15 seconds	15 seconds	7-8 seconds**
% Over/Under Voltage	Maximum/minimum phase to phase average voltage, respectively	2-25%	20%	12-15%**
% Phase Unbalance	Amount of allowable voltage unbalance	2-20%	20%	4-5%**
Reset Mode	0 (auto) or number of times the load can be re-energized after a load side fault before a manual reset is necessary	0 (auto) , 1-10	0 (auto)	0 (auto)
Control Mode	With control mode set to OFF, the load will energize if no 3- phase fault conditions exist; with control mode ON, the load will energize if no fault conditions exist and control voltage is present at terminals 4 and 5 of the ICM450A	ON or OFF	OFF	Based on wiring
Date and Time	Provides real time clock for date and time stamp (ICM450A PLUS+ models)	ON or OFF	ON	ON
Language	Set to English or Spanish language for display	EN or SP	EN	English
485 Termination	Allows the user to enable an internal termination resistor	YES or NO	NO	
MODBUS ID-1	Use selectable MODBUS ID	1 – 247	175	

* Non-critical faults are faults such as high/low voltage and phase unbalance and are subject to the delay on fault setting. Critical faults, such as phase loss and phase reversal, do not allow fault interrogation and the response time (under 4 seconds) is not user settable.

** For best recommendations, consult manufacturer of equipment.

FAULT CONDITIONS

Press and release fault button to scroll through all saved faults.

** **Note:** For initial setup, press and hold **FAULT** for 5 seconds to remove any previously stored faults.

Fault	Problem	Corrective Action
Back Phase Loss	Not all three of the phases on the load side are present	<ol style="list-style-type: none"> 1. Re-energize the contactor. 2. If the fault reappears after the load energizes: <ol style="list-style-type: none"> a. Turn all power OFF b. Check all load side connections c. Check the contacts of the contactor for debris or excess carbon.
Back Phase Rev	Loads 1, 2, or 3 are not in sequence (not 120° phase shifted)	<ol style="list-style-type: none"> 1. Turn OFF all power. 2. Swap any 2 phases on the load side of the ICM450A and ICM450A PLUS+ only (example: swap load 1 and load 2) * 3. Re-apply power.
Back Phase Unbalance	A voltage unbalance between the three load phases exceeds the unbalance setpoint	<ol style="list-style-type: none"> 1. Press the READ button to observe the present load voltages. Check system for unbalance cause. 2. Increase the fault interrogation time if necessary. 3. Increase the percent unbalance setting if necessary.
Front Over Voltage	Average phase to phase voltage exceeds the maximum percentage	<ol style="list-style-type: none"> 1. Check system for over-voltage cause. 2. Increase the percent over-voltage setting if necessary. 3. Increase the fault interrogation time if necessary.
Front Phase Loss	Not all three of the phases on the line side are present	<ol style="list-style-type: none"> 1. Press and hold the READ button on the phase monitor or use an AC voltmeter to carefully measure all three phase to phase line voltages (example: Line 1 → Line 2, Line 2 → Line 3, Line 3 → Line 1). 2. Repair the missing phase.
Front Phase Reversal	Lines 1, 2, or 3 are not in sequence (not 120° phase shifted)	<ol style="list-style-type: none"> 1. Turn OFF all power. 2. Swap any 2 phases on the line side of the ICM450A and ICM450A PLUS+ (example: swap Line 1 and Line 2)* 3. Re-apply power.
Front Phase Unbalance	A voltage unbalance between the three line phases exceeds the unbalance setpoint	<ol style="list-style-type: none"> 1. Press the READ button to observe the present load voltages. Check system for unbalance cause. 2. Increase the fault interrogation time if necessary. 3. Increase the percent unbalance setting if necessary.
Front Under Voltage	Average phase to phase voltage is below the minimum percentage	<ol style="list-style-type: none"> 1. Check system for under-voltage cause. 2. Increase the percent under-voltage setting if necessary. 3. Increase the fault interrogation time if necessary.

* Only swap phases during initial setup, not after the **ICM450A** and **ICM450A PLUS+** has been in operation without errors.

TROUBLESHOOTING

Problem	LCD Readout	LED Status	Corrective Action
Load will not energize	Phase Average	All LEDs Off	Confirm that the control input (terminals 4 & 5) is properly connected and configured
Load will not energize	Phase Average	Load LED Off, Fault LED blinking	Press FAULT once to observe the current fault; correct the condition of the first fault that appears (see Fault Conditions above, for a list of corrective actions)
Fault LED blinks repeatedly while load is energized	Phase Average	Fault LED Blinking, Load LED On	Indicates there are faults saved in the memory, press FAULT rapidly to scroll through saved faults; to clear the faults, press and hold FAULT for more than 5 seconds
Load will not de-energize when control voltage is OFF	Phase Average	Load LED On, Control LED Off	The control mode setting is OFF; press SETUP to get to the control mode. Press ^ to set the control mode ON
Setup LED is on while load is being energized	Anything Other Than Phase Average	Setup LED On, Load LED On	To exit the setup mode, press either READ or FAULT
Load will not energize	Reset	Fault LED Blinking	Unit is in lockout, maximum number of retries in manual reset mode has been reached. To reset the control, remove and reset power to the control.
Load turns ON and OFF repeatedly	Displays Existing Fault	Fault LED Blinking	Fix load side fault; press FAULT to observe condition; the delay on break period may be too short; press SETUP to enter the delay on break mode; press ^ to lengthen the delay
Scrambled characters or black boxes on LCD screen	Unreadable	Any	Processor or memory damaged. Replace ICM control.
Unit not retaining user date and time settings			Leave unit connected to power for at least 30 minutes to charge up the potentially low internal rechargeable battery

NOTE: Please leave the **ICM450A PLUS+** connected to 3-phase line power for at least 30 minutes before expecting date and time stamp to hold in memory

ONE-YEAR LIMITED WARRANTY

The Seller warrants its products against defects in material or workmanship for a period of one (1) year from the date of manufacture. The liability of the Seller is limited, at its option, to repair, replace or issue a non-case credit for the purchase prices of the goods which are provided to be defective. The warranty and remedies set forth herein do not apply to any goods or parts thereof which have been subjected to misuse including any use or application in violation of the Seller's instructions, neglect, tampering, improper storage, incorrect installation or servicing not performed by the Seller. In order to permit the Seller to properly administer the warranty, the Buyer shall: 1) Notify the Seller promptly of any claim, submitting date code information or any other pertinent data as requested by the Seller. 2) Permit the Seller to inspect and test the product claimed to be defective. Items claimed to be defective and are determined by Seller to be non-defective are subject to a \$30.00 per hour inspection fee. This warranty constitutes the Seller's sole liability hereunder and is in lieu of any other warranty expressed, implied or statutory. Unless otherwise stated in writing, Seller makes no warranty that the goods depicted or described herein are fit for any particular purpose.

